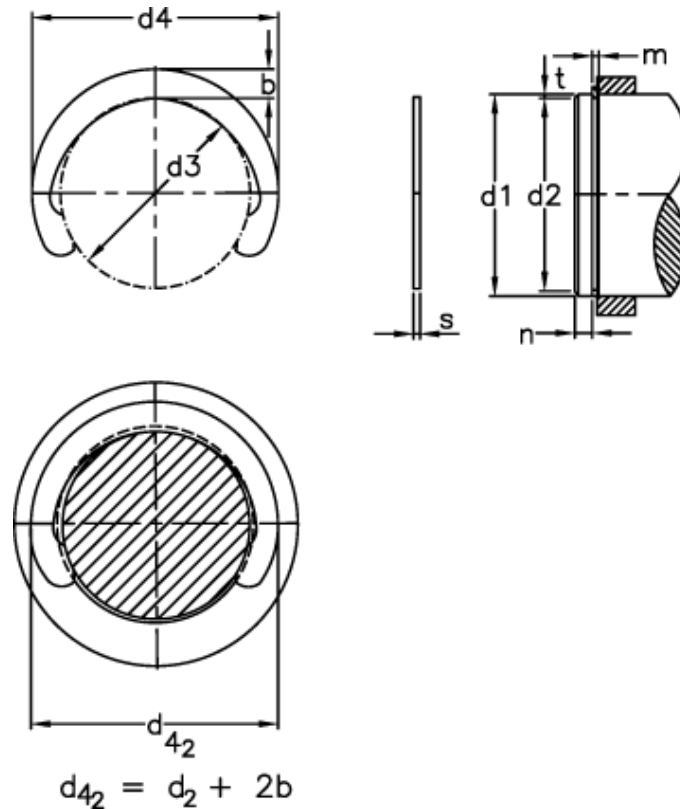


Article number: 0118027

Description: Retaining ring H 12

Measures



b	= 1.90	FRg kN	= 2.0	t	= 0.55
d1	= 12	FR kN	= 4.20	tol	= -0.11
d2	= 10.9	g	= 1.00	tol	= 0.18
d3	= 10.55	Gripper	= GRH 12	tol	= -0.06
d4	= 14.35	m min	= 1.10	Weight kg/1000	= 0.32
d4 2	= 14.7	n abl x 1000	= 35		
Description	= H 12,0	Nominal drive	= 1.7		
FN kN	= 1.65	s	= 12.00		